



Height Adjustable
Adult Changing Table
R8592418000
R8478





For more product information click [here](#) or go to max-ability.com/product/hi-lo-changing-table/

The guarantee covers faults or defects in material or manufacture within a period of 5 years. Products are subject to minor technical modifications and design deviations. E.&O.E.



Content

Mounting instruction	3
Operational signage	3
Symbols used in this manual.	4
Specific safety	4
General safety	5
Product label	6
Intended use	8
Intended operator profile	8
Intended user profile	8
Operating environment.	8
Versions	9
Operating instructions	10
Height adjustment	11
Cleaning.	12
Disinfection.	13
Maintenance	14
Service inspection	14
Trouble-shooting.	16
Technical data.	17
Disposal and recycling	18

Mounting instruction

en



A mounting instruction is included with the product. It can also be downloaded from www.pressaliticare.com.

Operational signage



An operational signage is included with this product. It can also be downloaded from www.pressaliticare.com.

Original instructions

Symbols used in this manual

The following symbols are used in this manual as well as the associated documentation supplied with the product.



WARNING indicates a potentially hazardous situation which, if not avoided, could result in death or serious injury.



CAUTION indicates a potentially hazardous situation which, if not avoided, may result in minor or moderate injury. It may also be used to alert against unsafe practices.



IMPORTANT indicates important information about handling and use of the product.



NOTICE is used to address practices not related to personal safety.



Hand injury warning



Electricity or potentially dangerous voltage.



Head injury warning.

Specific safety



- Never leave a person lying on the changing table without supervision.
- Always be careful when moving a person to and from the table.

General safety

WARNING

- Read and understand the manual completely before use. Keep the manual close to the unit.
- Comply with this manual to avoid accidents involving serious personal injury.
- Never use or handle this product in other ways than are specified in this manual, as this can put your safety at risk and cause damage to the product.
- Make sure that everyone who is to install or use the product and its systems has the necessary information and access to this manual.

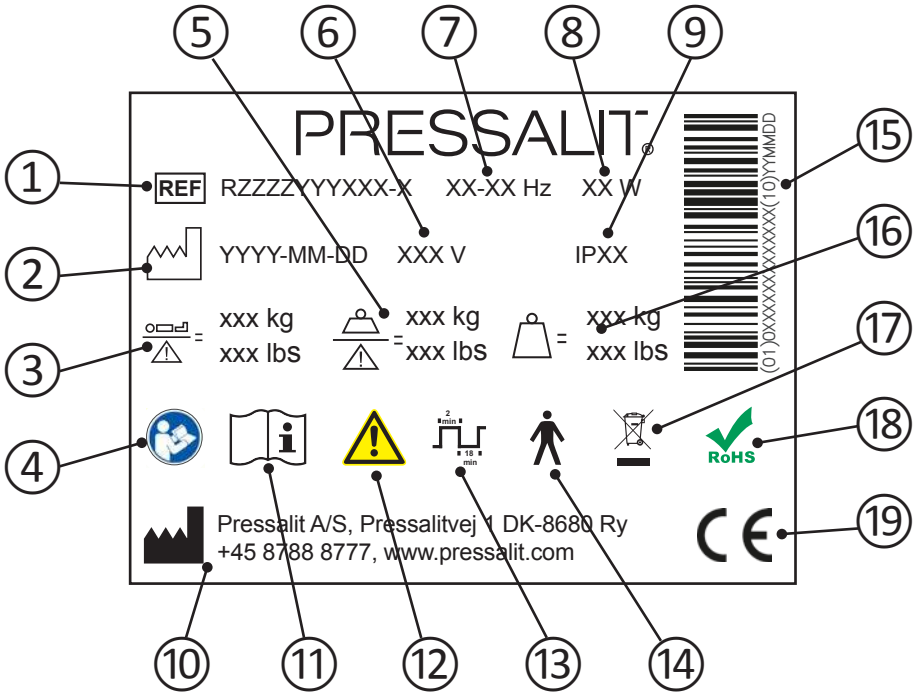
CAUTION

- Please comply with these instructions to avoid the product becoming damaged or destroyed.
- Do not perform repairs, disassembly, or assembly operations, extensions, re-adjustments or modifications to this product. These must be carried out by Pressalit or by persons authorized by Pressalit only.
- Never allow children to operate this product unless under supervision. The product is not intended for play.
- Never use the product if it is defective or damaged. Do not use a defective product before it has been repaired.

NOTICE

- The information in this manual is based on correct fitting of the product in accordance with our Assembly instruction.
- Pressalit cannot be held liable if the product is used in any way which differs from that described in the guide.
- We reserve the right to amend this manual without prior notice.

Product label



en

① Article number

② Production date

③ Maximum user weight

④ Consult manual for use

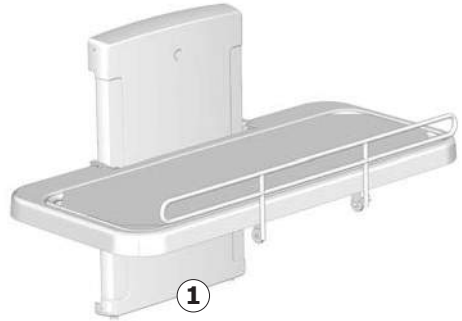
⑤ Safe working load

⑥ Mains voltage

⑦ Frequency

-
- ⑧ Maximum power consumption
-
- ⑨ IP class
-
- ⑩ Name and address of manufacturer
-
- ⑪ Consult manual for use
-
- ⑫ Consult the manual for important cautionary information such as warnings and precautions.
-
- ⑬ Duty cycle. The motor on height-adjustable products can be used for a maximum of 2 minutes of continuous operation, followed by 18 minutes pause.
-
- ⑭ Type B applied part Part of the product in normal use necessarily comes into physical contact with the patient to perform its function The product complies with requirements of IEC 60601-1 to provide protection against electric shock.
-
- ⑮ GS1-128 barcode
-
- ⑯ Product weight
-
- ⑰ Do not dispose as unsorted municipal waste. The product should be collected separately and returned to the designated recycling service.
-
- ⑱ This product does not contain any of the hazardous substances mentioned in the Council Directive 2011/65/EC on RoHS.
-
- ⑲ This product is CE-marked in accordance with the European Medical Device Directive 93/42/EEC, including amendments incorporated in Directive 2007/47/EEC. It also complies with all relevant requirements in the Council Directive 2006/42/EC (of 17 May 2006) on machinery and with Council Directive 2011/65/EC (of 8 June 2011) on RoHS. A declaration of conformity can be found at www.pressaliticare.com.

The product label ① is placed on the wall mount.



Intended use

This product is intended for bathing a person who is unable to stand up or sit down. The person is lying horizontally on the bench.

Intended operator profile

The product is to be used by personnel trained in health care and trained in washing a person in their care.

Intended user profile

The product can be used by all - adults, children, young, old, whose weight does not exceed the **maximum load of 175 kg / 385 lbs.**

Operating environment

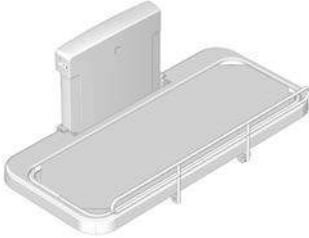
For indoor use in a wet environment, such as a bathroom or wash room.

en The product is intended to be used at room temperature, in a stand-alone environment, in private homes, nursing homes and hospitals under normal working conditions.

Notice

Salt and chloride have a corrosive effect on the products components and will cause a decrease in the life expectancy of the product. The damaging effects can, however, be reduced if the product is showered with tap water on a daily basis.


Versions



R8478
With removable mesh cover

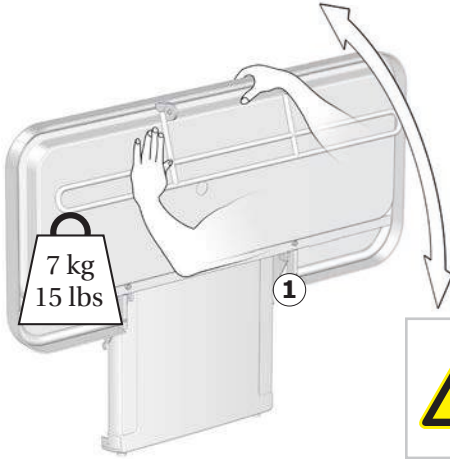


R8592418000
With coated canvas mattress

	Power Plug Type
R8592418 (US) R8478000-93 (US) 120V	

en

Operating instructions



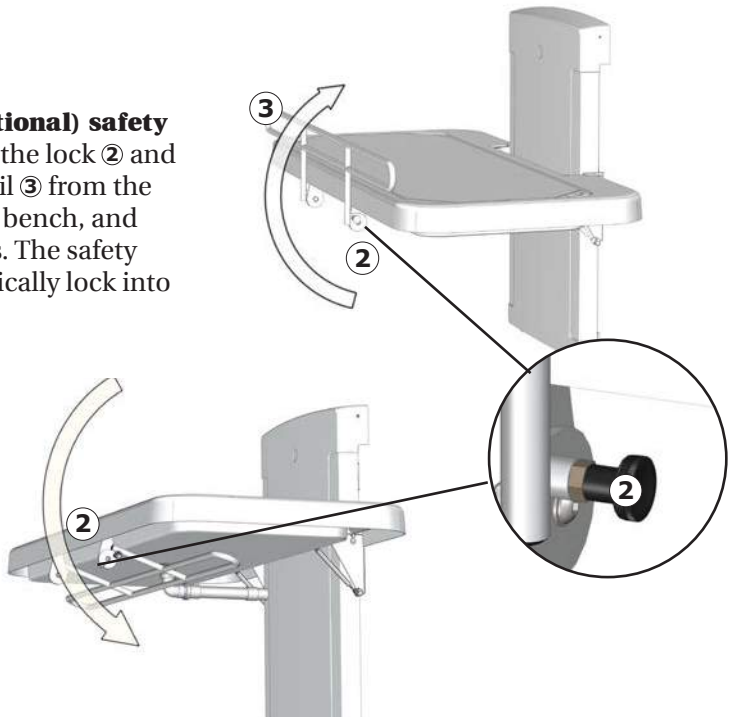
Support the bench using your hand or body when folding it down, to avoid the risk of damage.

The built-in gas cylinders make it easy to fold the bench up against the wall after use.



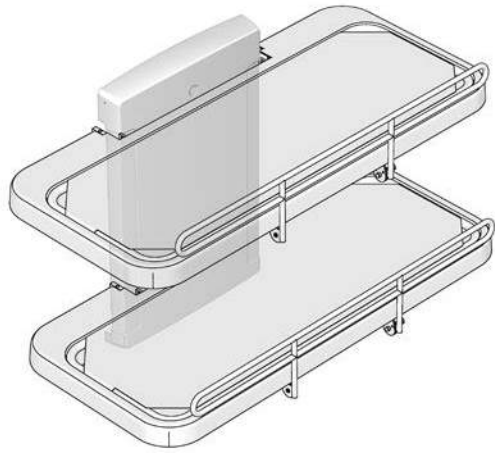
Take care to avoid injury to hands when in the vicinity of closing mechanical parts ①.

To pull the (optional) safety rail up: Release the lock ② and pull the safety rail ③ from the underside of the bench, and swing it upwards. The safety rail will automatically lock into position.



To fold the safety rail away: Release the lock ② and swing the safety rail down to the underside of the bench. The safety rail will automatically lock into position.

Height adjustment



When the bench is installed at the correct height, it can be adjusted between 300 and 1000 mm (11.81 and 39.37 inches) above the floor.

The height adjustment is controlled by the wired remote control unit.

Press and hold the Up button to raise the bench, and press and hold the Down button to lower the bench.



Make sure that there is no objects under the nursing bench when operating the height adjustment system.

en

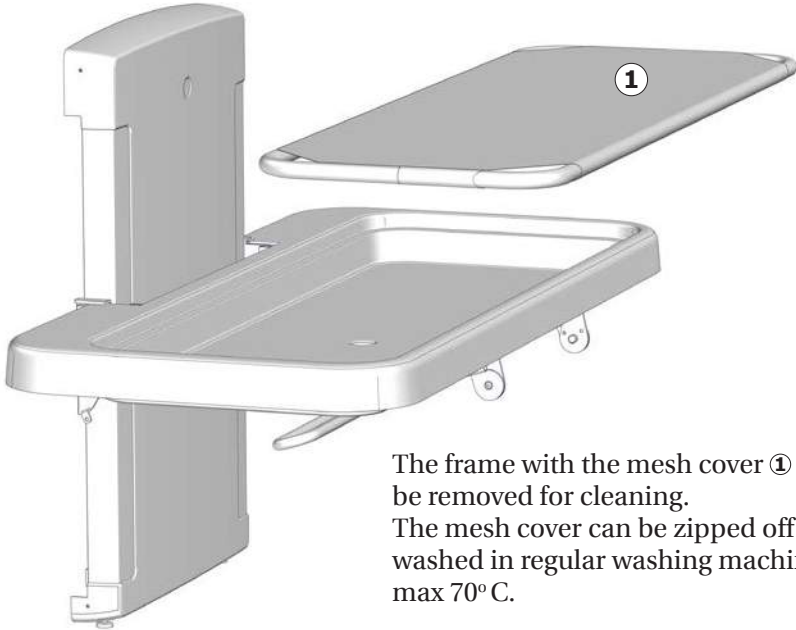


CAUTION

Never let a person lie on the nursing bench without the mesh cover/canvas in place. The tray under the pads is for water collection only. It is not to be used as a bathtub. Risk of injury to the user and damage to the product.

Cleaning

Clean the nursing bench after each use. Use ordinary soapy water. Rinse off with fresh water and dry with a soft cloth.



The frame with the mesh cover ① can be removed for cleaning. The mesh cover can be zipped off and washed in regular washing machine at max 70° C.

Dry the water collection tray.

IMPORTANT

- Do not use an autoclave or other type of steam cleaner.
- Avoid aggressive cleaning agents containing acids or chloride.
- Never spray the nursing bench directly with a high pressure cleaner.
- Avoid use of aggressive, abrasive, corrosive or chloride-based cleaning or disinfecting products.

Disinfection

When using the nursing bench for multiple patients, it is necessary to both clean and disinfect the nursing bench between uses on different patients to prevent the risk of cross infection.

A list of suitable cleaning agents and disinfectants can be found at www.pressalitcare.com



Always read the material safety data sheet (MSDS) and supplied instructions of the cleaning, disinfecting or de-scaling agent and comply with instructions for safe use, dilution, rinsing, drying, handling and storage of the agent.

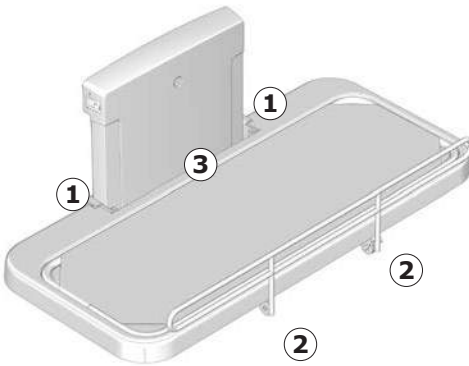
en

Maintenance

Expected service life of the nursing bench is 10 years, provided that maintenance is carried out as described below:

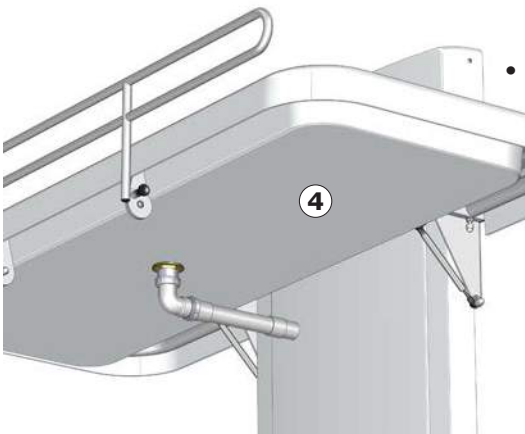
It is recommended on a weekly basis to run the motors on the product to their maximum positions by raising the bench to its full height, and then lowering it to its lowest position, so that the internal parts are lubricated.

It is recommended that service inspection is done once a year.



Service inspection

- Check the hinges ① on the bench and the safety rail ② . Tighten if necessary.
- Check the mesh cover ③ for damage and replace if necessary.

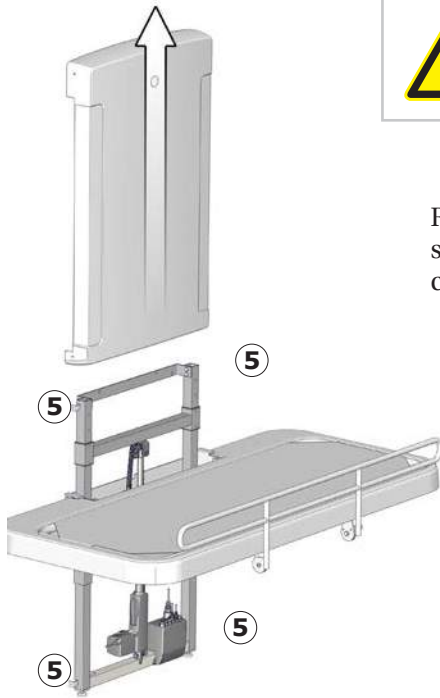


- Check the drain pipe connections ④, and check and clean the water trap (if fitted).

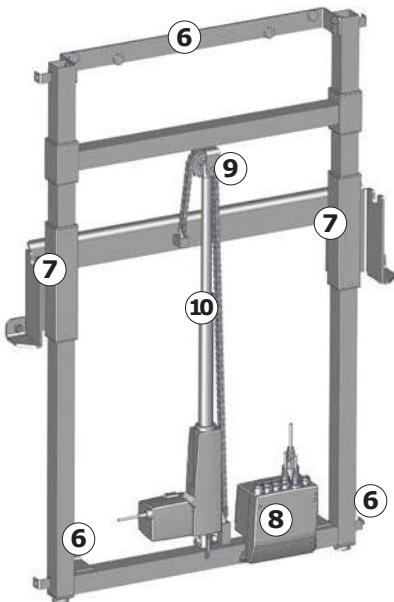
en



Disconnect mains before removing the covers.



Remove the upper and lower retaining screws ⑤ on the lift unit cover and carefully remove the cover.

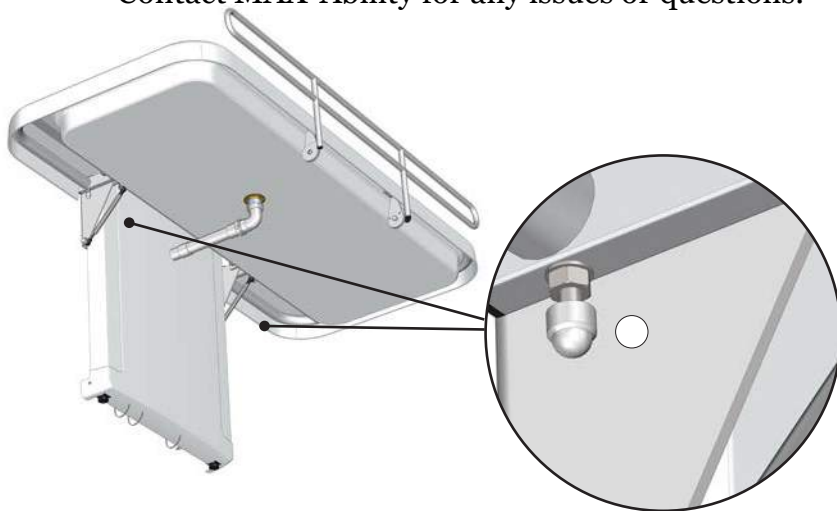


- Check the wall brackets ⑥ and tighten if necessary.
- Oil moving parts with WD40, especially the sliding brackets ⑦.
- Check all electrical connections to the control box ⑧.
- Check the chain wheel ⑨ for wear.
- Oil the chain ⑩.
- Put the unit cover back again and tighten the retaining screws.

en

Symptom	Cause	Action
The nursing bench does not stay in upright position.	One or more gas cylinders are defective.	Contact Pressalit A/S or your local dealer.
The product will not work, even though the remote control is used correctly.	Fault in power supply.	Check that all wires and plugs are intact and correctly connected. Contact Pressalit A/S or your local dealer.
The water does not run out of the water collection tray.	Adjustment screws too high or too low.	Adjust the adjustment screws ①.
The nursing bench runs up and down unevenly.	The sliding brackets are not properly lubricated.	Oil the sliding brackets as described under "Maintenance".

Contact MAX-Ability for any issues or questions.



en

Technical data

Max load	175kg / 385 lbs
Materials	Powder laquered stainless steel Plastics (PVC, Polystyrene)
Dimensions (width x length)	R8468: 875 mm x 1800 mm / 34.44 x 70.86 inches
	R8478: 899 mm x 1800 mm / 35.39 x 70.86 inches
Weight	R8468: 67 kg / 148 lbs
	R8478: 73 kg / 161 lbs
IP class	The product has an ingress protection class rating of IPX6. The product may not be immersed in water, but is designed to withstand powerful jets (12.5 mm nozzle) of water from any direction.
Power specifications	
Max consumption	70 W
Voltage	Mains connection: 230V/120V/100V
Frequency	50/60 Hz
Current	3.7 A

en

Verify your purchase details before carrying out repairs so you don't void your warranty: We guarantee all product components against manufacturing defects for five years, and parts repair/labor for one year, from the invoice date. In most instances the affected parts are replaced, not repaired.

Parts damaged due to improper product assembly, installation, or procedure; lack of recommended maintenance including cleaning; or lost after delivery cannot be included in this warranty.